

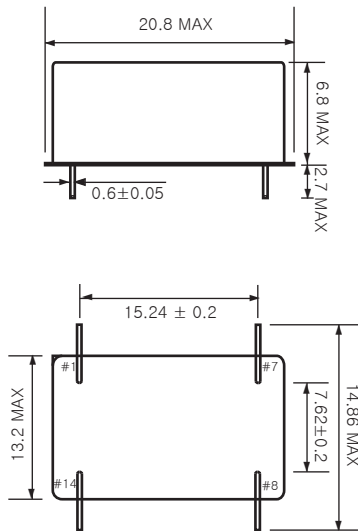
# GULL WING TYPE OSCILLATOR

## SINEWAVE OUTPUT

### Electrical Specification

Model	GGN5.0	GGN3.3
Supply Voltage (Vcc)	5Vdc $\pm 5\%$ (Std.)	3.3Vdc $\pm 5\%$ (Std.)
Frequency Range	8 to 200MHz	
Frequency Stability	See <b>table 1</b> (OSC part number guide)	
Operating Temperature	See <b>table 2</b> (OSC part number guide)	
Storage Temperature	-55 to 125 $^{\circ}$ C	
Supply Current	20mA Max @ 20MHz	
Output Level	1.0 Vpp Min	
Harmonics Level	< -30dBc	
Sputious Level	< -60dBc	
Load	50 $\Omega$	
Aging	$\pm 3.0$ ppm Max/Year(Std.)	

### Dimensions



Pin Connection	
#1	N.C.
#7	Ground
#8	Output
#14	Vcc